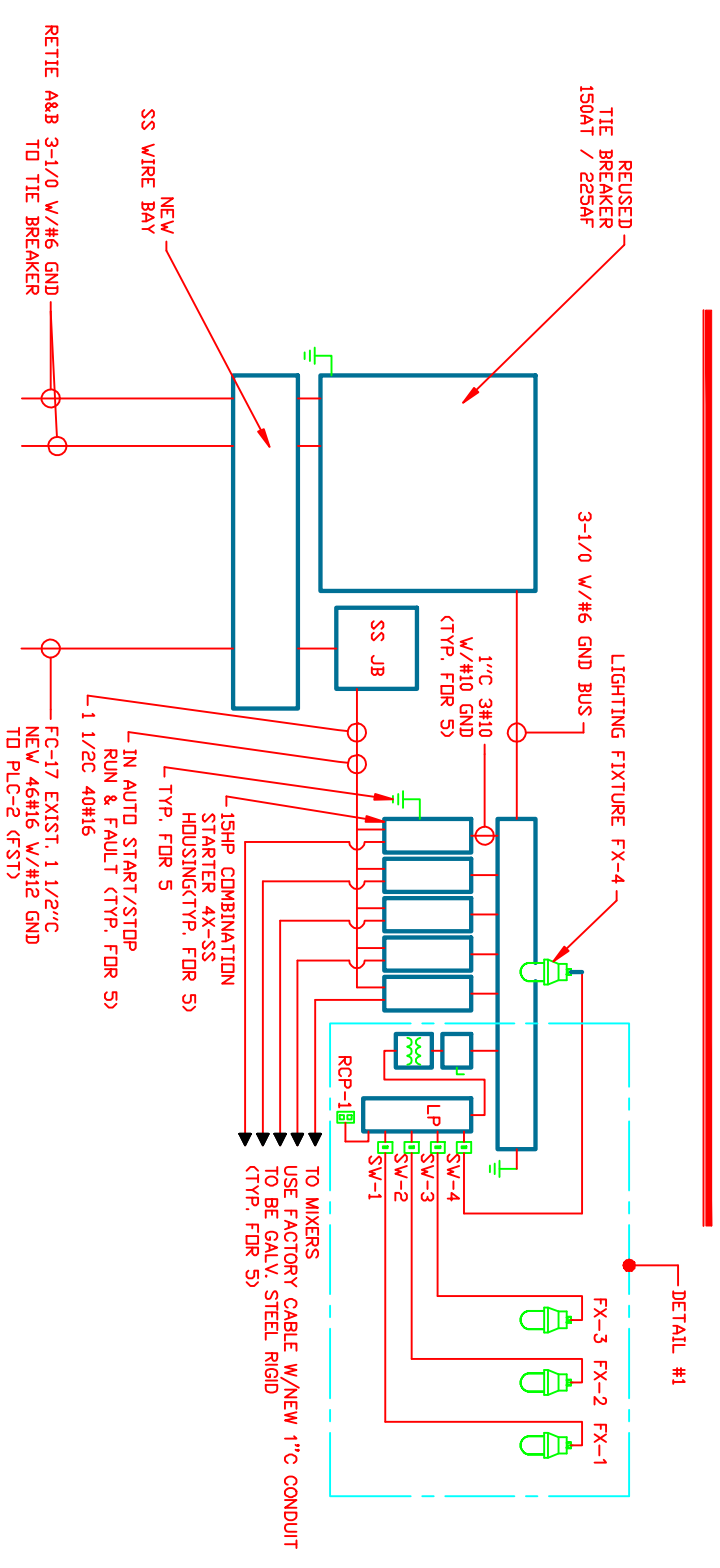


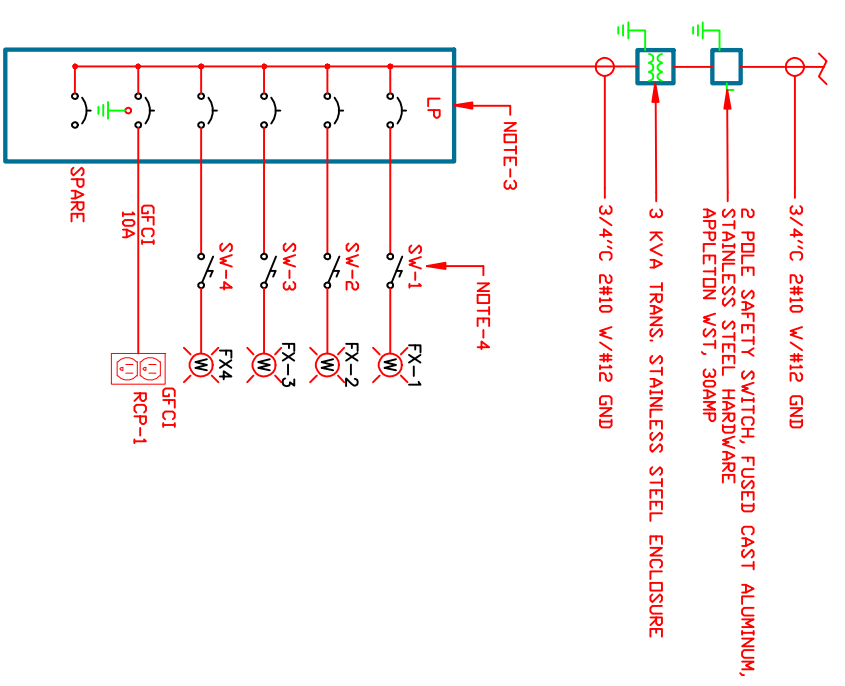
DEMOLITION - STARTER RACK



NEW WORK - STARTER RACK

- GENERAL NOTES:**
1. ENTIRE STARTER RACK, COMBINATION STARTERS, LOAD CENTER, LIGHTING TRANSFORMER AND SWITCH BOX TO BE REPLACED.
 2. TIE BREAKER AND ENCLOSURE TO BE REUSED.

- NOTES:**
1. TIE BREAKER TO BE REUSED, REMOVE CONDUCTORS, CLEAN, INSPECT, PAINT AND REINSTALL.
 2. REMOVE AND DISPOSE OF ALL COMPONENTS WITHIN THE DESIGNATED LIMITS OF DEMOLITION, INCLUDING ALL SUPPORT MATERIALS. RETAIN AND REUSE TIE BREAKER.
 3. LIGHTING PANEL: 240/120 1PH 100A M.D. NON-METALLIC, OUTDOOR RATED 6 CKT MIN., FILL W/15A RATED CB CROUSE-HINDS NLP W/QD BREAKERS.
 4. LIGHT SWITCHES (SW 1-4) ARE TO BE MOUNTED TO RACK IN AN ACCESSIBLE LOCATION FOR NORMAL OPERATION. APPLETON EDS FRONT OPERATED, 1 POLE 3/4 HUB, DEAD FRONT, GANG BOX MAY BE USED.



DETAIL #1